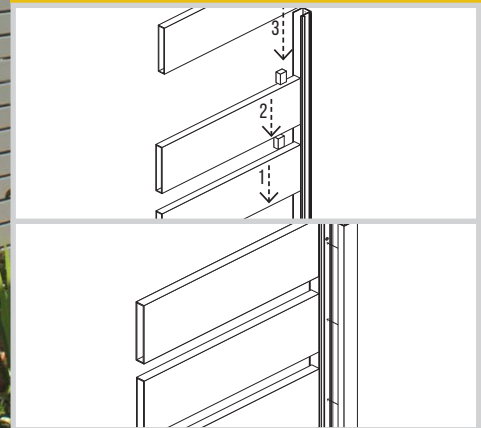


SLAT SCREENING

lifestyle **SCREENING**



EASY INSTALL!



Concealed fixing: screws are hidden - clean finish!

Genuine Interpon 10 year powder coat warranty

10 YEARS

Adjustable height & width

Install off angled posts

Adjustable slat spacing

Black GN150A Woodland grey GL205A Wilderness GS189A Cottage green GK274A Primrose GD037A Stone beige GD247A Paperbark GU114A

Aluminium slat
65mm x 16mm
Pack of 3
2400mm long

** Long length extrusion also available

Side frame
Includes snap on cover
2100mm long

50x50mm post
Includes top cap
1800mm or 2400mm high

7 INTERPON COLOURS HELD IN STOCK

Base plate set
For fixing base plate to post
Incl. 4x screws

Centre support rail
26mm x 26mm
Includes snap on cover
2100mm long

Top cap
Black nylon
Suits side frames & centre support rail

Screw & spacer block kit
Includes 50x screws & 10x spacer blocks